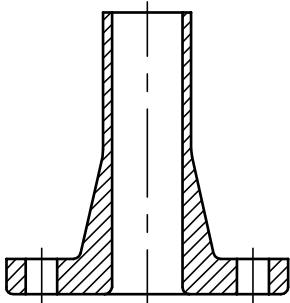
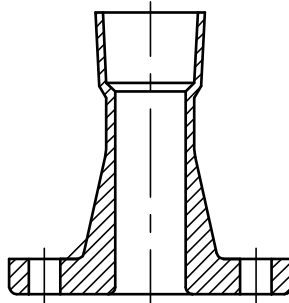


FRP / GRP pipe fittings (process: hand lay-up)

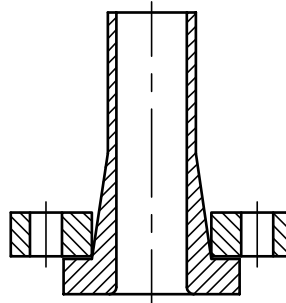
Fixed Flange



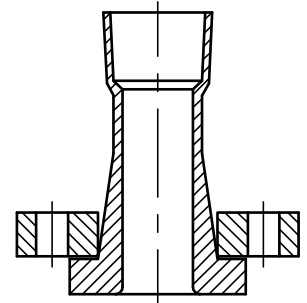
Belled Fixed Flange



Lapped Flange

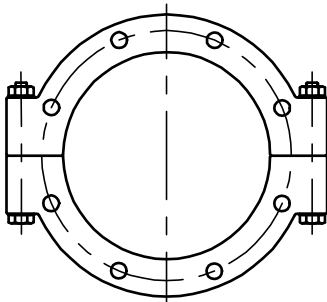


Belled Lapped Flange



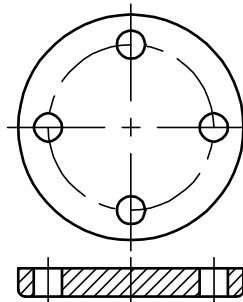
Nominal Diameter: 15~1000mm and 1/2"~40". Production Capacity: 180,000 pcs/year.

Half Loose Flange



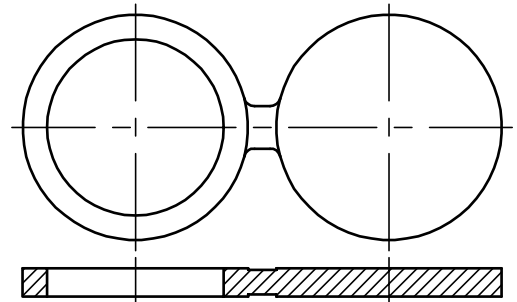
ND: 15~1000mm and 1/2"~40".
Capacity: 30,000 sets/year.

Blind Flange



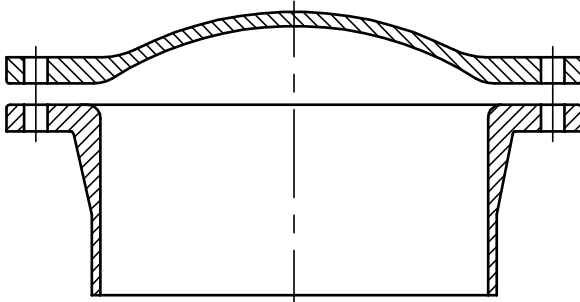
ND: 15~1000mm and 1/2"~40".
Capacity: 30,000 pcs/year.

Figure Eight



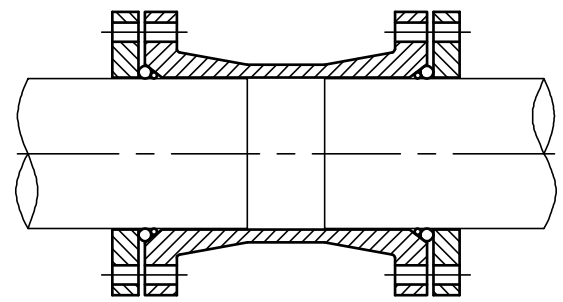
ND: 15~600mm and 1/2"~24".
Capacity: 15,000 pcs/year.

Manway and Dome Cover



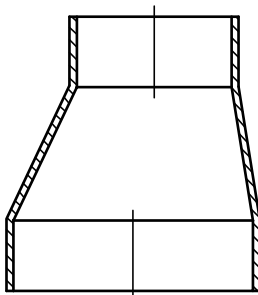
ND: 450, 500, 600, 750, 900mm and 18", 20", 24", 30", 36".
Capacity: 15,000 sets/year.

Jacketed Connection

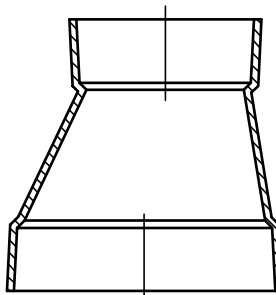


ND: 15~1000mm and 1/2"~40".
Capacity: 30,000 sets/year.

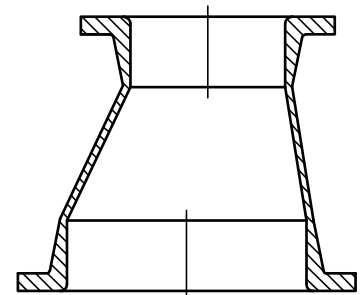
Simple Reducer



Belled Reducer



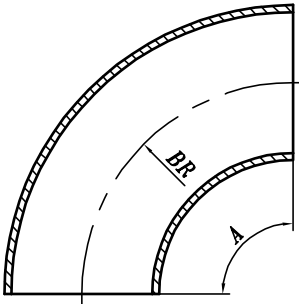
Flanged Reducer



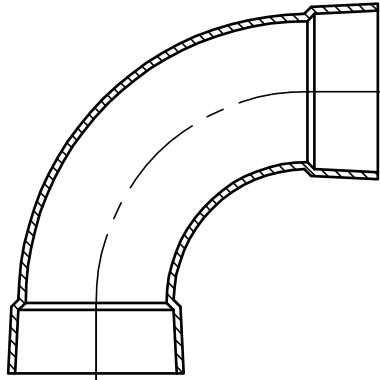
Nominal Diameter: 15~1000mm and 1/2"~40"; Concentric or Eccentric; Production Capacity: 30,000 pcs/year.

FRP / GRP pipe fittings (process: hand lay-up)

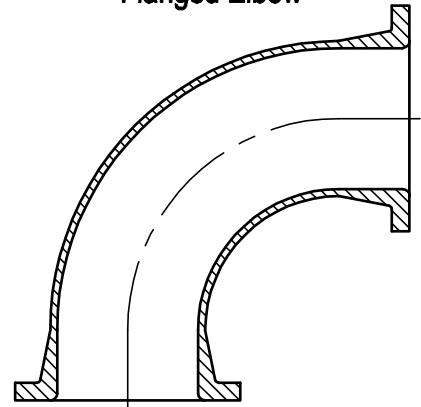
Simple Elbow



Belled Elbow

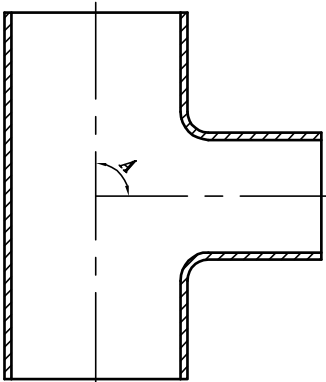


Flanged Elbow

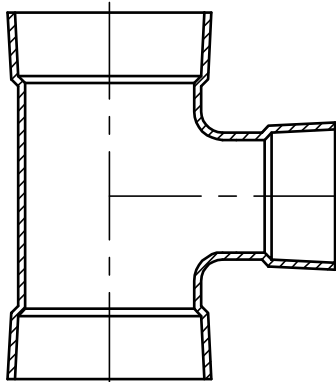


Nominal Diameter: 15~1000mm and 1/2"~40"; A: 15°~90°; BR/ND: 1~2; Production Capacity: 60,000 pcs/year.

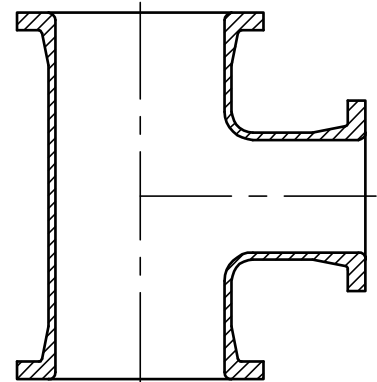
Simple Tee



Belled Tee

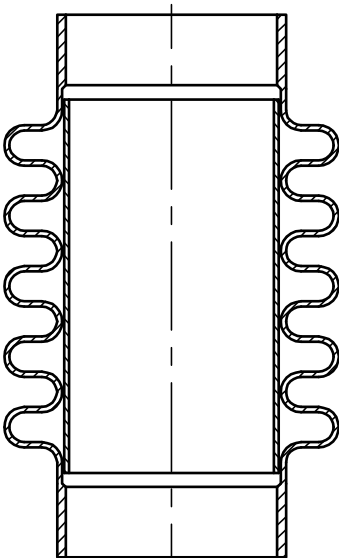


Flanged Tee

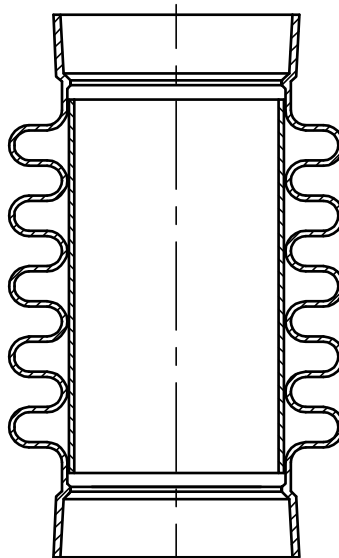


Nominal Diameter: 15~1000mm and 1/2"~40"; A: 45°~90°; equal or reduced; Production Capacity: 60,000 pcs/year.

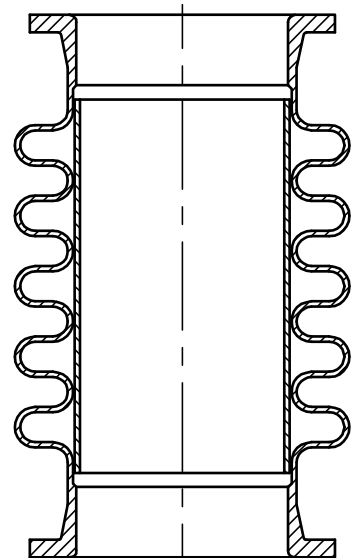
Simple Bellow



Belled Bellow



Flanged Bellow



Nominal Diameter: 100~1000mm and 4"~40". Production Capacity: 15,000 sets/year.

★ Bespoke Products: 1.combined parts with accurate dimensions; 2.large dimension pipe fittings (ND>1000mm and ND>40").
Please contact us for more information.