

A manufacturer of quality fiberglass manufacturer since 1983, Yeungs has leading product and industry experience you can solidly depend on.

Engineers, architects, contractors and remodelers have trusted and specified DURAGRAT for years - and our reputation keeps earning us valuable customers like you.

DuraLAD[®] fiberglass ladders and ladder cages mounted on the sides of tanks are a common sight in a wide range of industries. Fiberglass ladder and ladder cage systems have been in continuous use for more than 20 years in chemical plants and other corrosive environments. Even in complete immersion applications, fiberglass has outlasted aluminum and steel and required little or no maintenance.

SIZES & AVAILABILITY

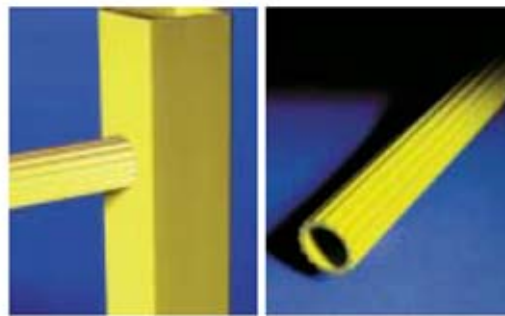
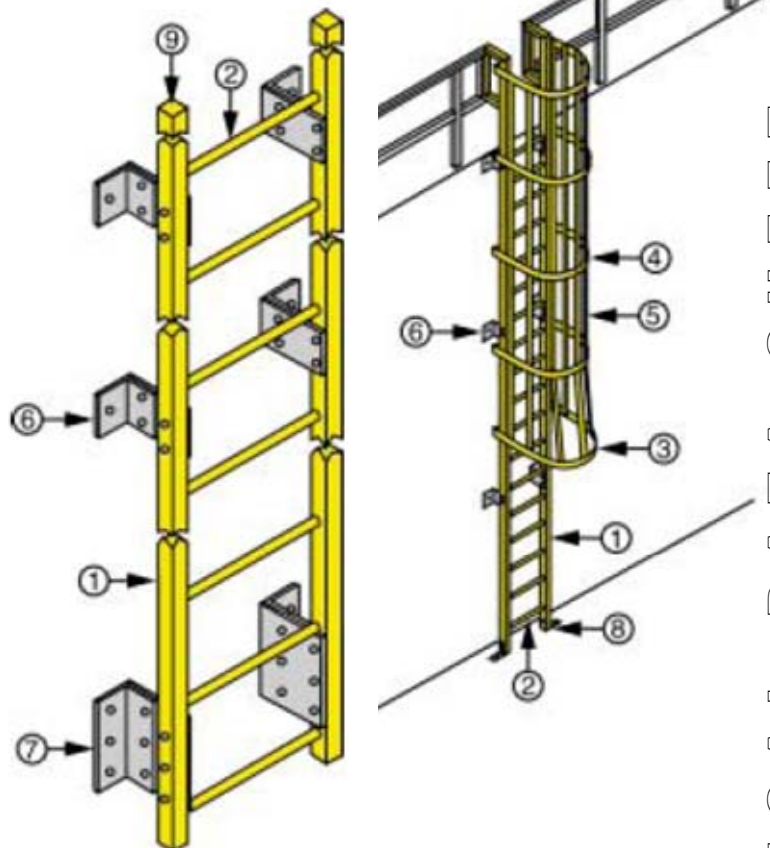
DuraLAD[®] ladders are fabricated in a standard 450mm rung width configuration with 250mm rung spacings. Various ladder lengths can be produced as practical. Standard DuraLAD[®] ladder and ladder cage systems are designed and fabricated to meet the requirements of Health and Safety Regulation under Hong Kong Labour Department. Custom designed ladders and access cages can be fabricated upon request. Ladders can be shipped pre-assembled for installation in the field.

MATERIALS OF CONSTRUCTION

DuraLAD[®] ladders and ladder cage systems are produced in a premium grade polyester resin system with flame retardant and ultraviolet (UV) inhibitor additives. Standard side rails and cages are pigmented safety yellow. The rungs are a pultruded fiberglass polyester tube with a fluted non-skid surface.

System Breakdown

- 1** SIDE RAIL
50mm x 50mm x 4mm Thk. GRP SHS
- 2** RUNG
30mm dia. GRP RHS
- 3** TOP HOOP
75mm x 6mm Thk. GRP strip
- 4** Intermediate Hoop
50mm x 6mm Thk. GRP strip
- 5** CAGE VERTICAL STRAP
50mm x 5mm Thk. GRP strip
- 6** STANDOFF BRACKET (TYP.)
235mm x 70mm x 70mmH GRP Bracket
- 7** STANDOFF BRACKET (Non-TYP.)
500mm x 100mm x 70mmH GRP Bracket
- 8** BASE ANGLE
75mm x 75mm GRP Angle
- 9** END PLUG
50mm x 50mm end cap



Rung Detail

End View of Rung

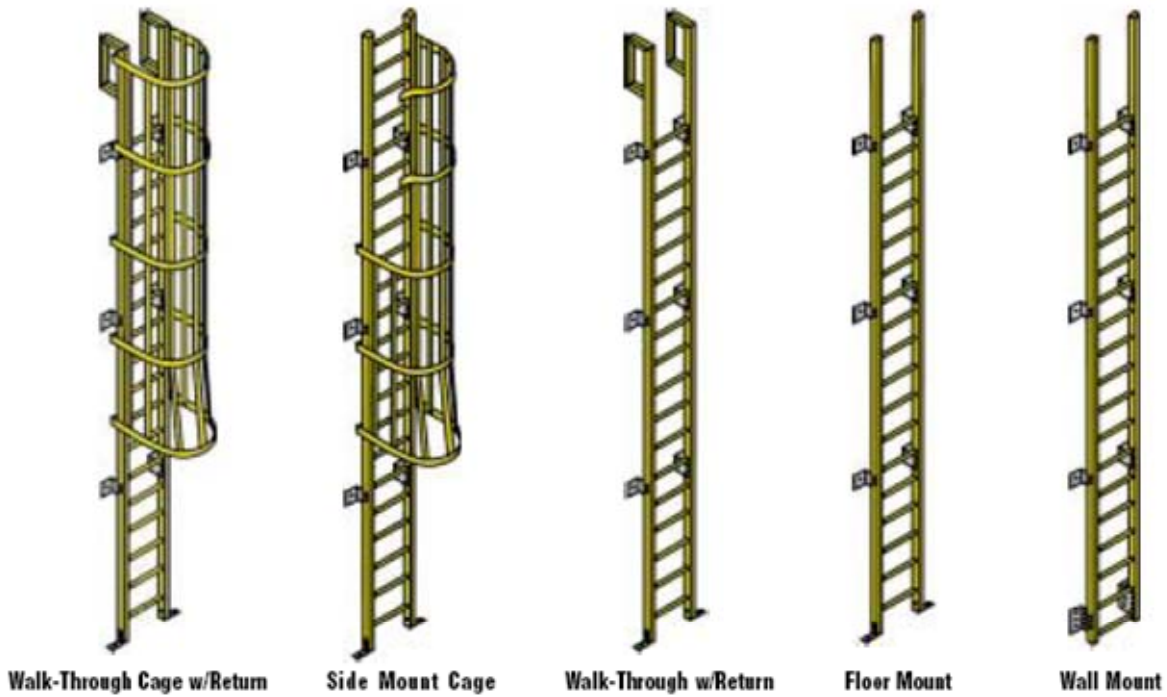
Ladder Details

TECHNICAL DATA SHEET

A manufacturer of quality fiberglass manufacturer since 1983, Yeungs has leading product and industry experience you can solidly depend on.

Engineers, architects, contractors and remodelers have trusted and specified DURAGRAT for years - and our reputation keeps earning us valuable customers like you.

Ladder Options



TECHNICAL DATA SHEET

DURALAD[®] LADDERS AND LADDER CAGES

The handrail shall be designed to meet the configuration and loading requirement of Health and Safety Regulation under Hong Kong Labour Department with a minimum factor of safety loading of 2.0.

Ladders shall be shop assembled and may be pre-drilled and prepared for field attachments of standoff clips.

MATERIALS

The side rails, rungs and cage straps shall be pultruded fiberglass reinforced components. The side rails shall be 50x50mm square tube with a wall thickness of 4mm or greater. The rungs shall be pultruded 30mm diameter FRP fluted tube.

Cage hoops shall be manufactured by the open mold hand lay-up process with a width of 75mm and thickness of 6mm minimum at the top and bottom and 50mm x 6mm" at the intermediate hoops. The cage shall be interconnected with 50mm x 5mm pultruded straps spaced 230mm on center around the hoop.

